



S-TYPE

USER'S MANUAL

IGS Audio Igor Sobczyk
3 Maja 76d, 41-400 Mysłowice, Poland
e-mail: igs@o2.pl ph: +48 601 597 592

www.igsaudio.com

Please read all of the following instructions and save them for later reference before attempting to connect the unit to the mains.

EARTH

This unit is connected via its power cord to the mains safety earth.
NEVER OPERATE THE UNIT WITH THIS EARTH CONNECTION REMOVED.

COVERS

DO NOT remove the covers. Refer servicing to qualified personnel only.

VOLTAGE

Equipment is set to operate only at the voltage indicated on the back of the unit.
CHECK that the correct voltage is selected before connecting the AC mains supply.

FUSES

CHECK that the fuse fitted is the correct type for the local mains voltage.
ALWAYS replace fuse with the correct type.

MOISTURE

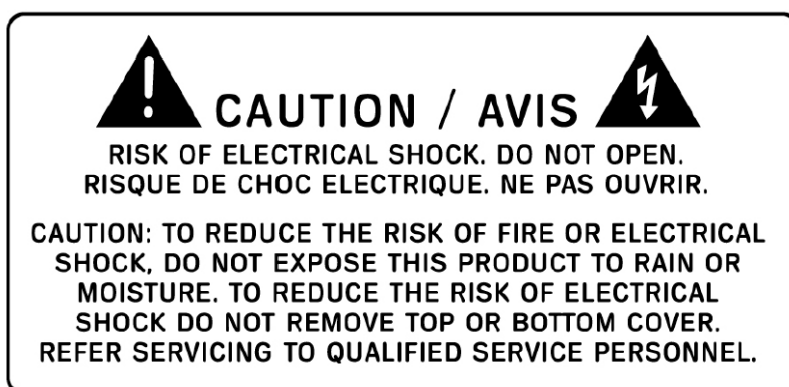
DO NOT expose the unit to rain or moisture. If the unit should become so exposed **REMOVE** the mains power immediately.

CABLES

PROTECT the mains power cord from damage through impact or abrasion.

HEAT

ALWAYS site the unit away from sources of heat including direct sunlight and ensure adequate ventilation around the unit.



Copyright 2014. All rights reserved.

The information in this document is subject to change without notice.

IGS Audio makes no warranty of any kind with respect to the material in this document and shall not be liable for errors contained herein or for incidental or consequential damages related to the use of the material.

Manual revision: 1.0 (December 2014)



Thank you for buying this IGS Audio product.

Please read the information provided below very carefully before using your IGS unit.

Unpacking

Your S-TYPE has been carefully and meticulously tested and inspected before dispatch. Please check for any signs of transit damage. If any signs of mishandling are found please notify the carrier and your dealer immediately.

Your S-TYPE packing should contain an S-TYPE with IGS Audio tag and power cord and this manual with the Warranty and RoHS/CE/WEEE Declaration attached.

Compatibility and Power

There is a fuse socket near the power cable connector on the on the back of the unit. Ensure that the correct fuse is being used before plugging the S-TYPE to the power outlet.

- For US area (115V) use 630mA Slow Blow (Type T).
- For Europe and rest of the world area (230V) use 315mA Slow Blow (Type T).

Always check the voltage selector on the back of the unit to ensure that it is set to the proper voltage available in your country.

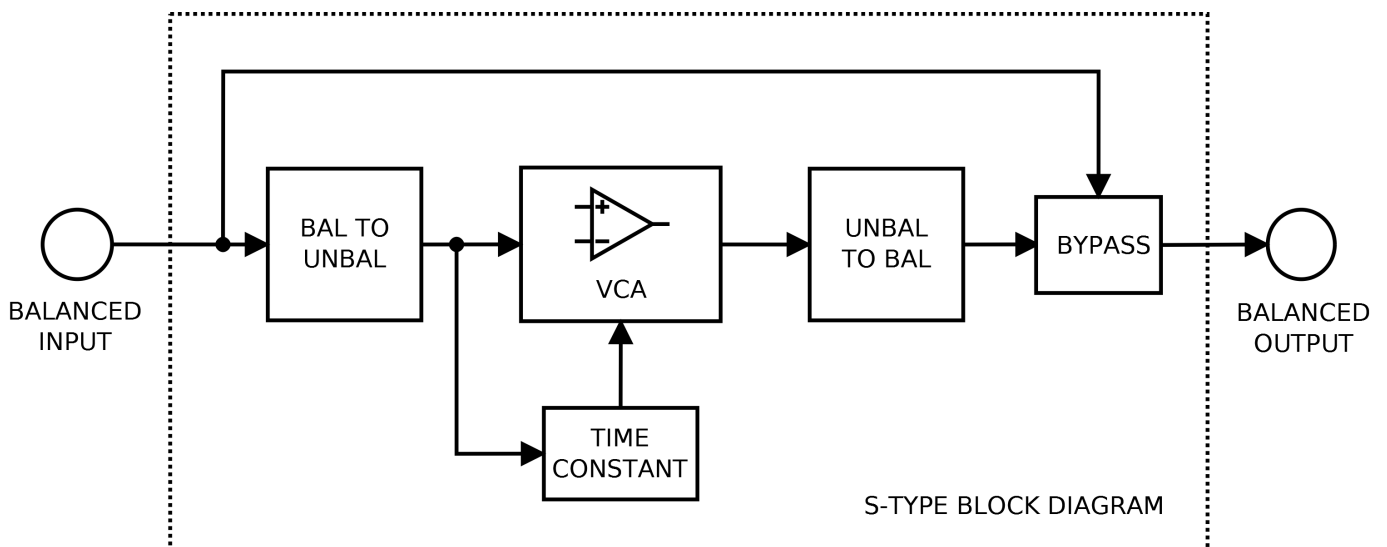
IGS AUDIO S-TYPE – Stereo VCA compressor

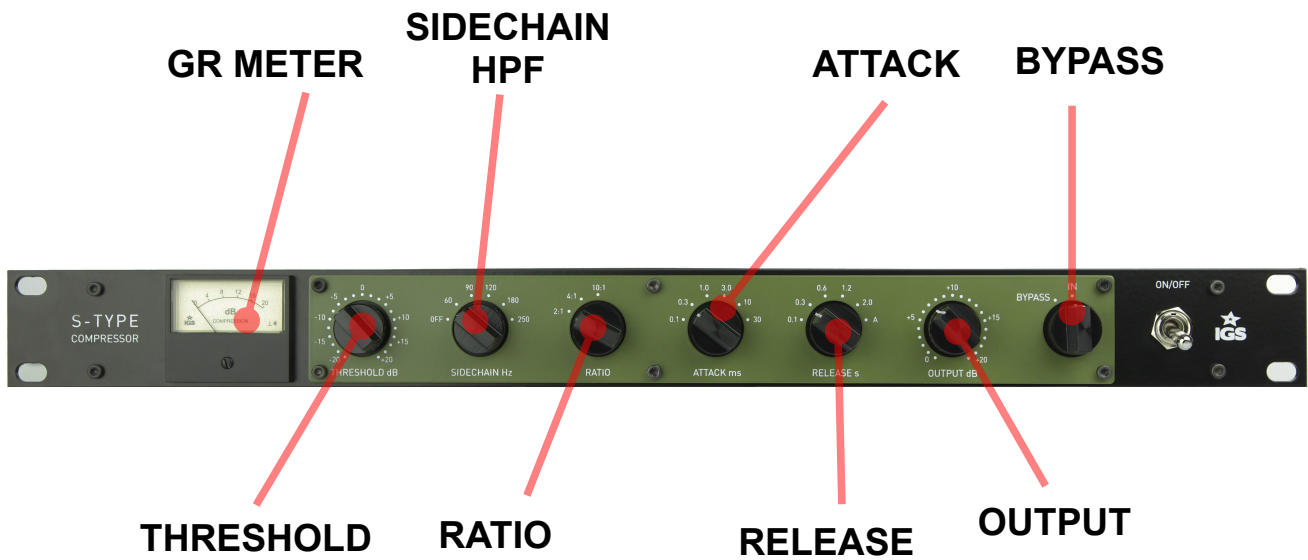
The S-Type is a typical VCA compressor well known as the core of the legendary British sound. The heart of the compressor is the THAT chip instead of, now unavailable, DBX ic. However the classic sound and speed of the compressor has been preserved. The main new feature of the S-Type is the Sidechain HPF function. This allows the user to separate the lowest frequencies that will not be compressed and to control more precisely the bass and overall dynamics of the mix. The IGS Audio S-Type is a very creative device.

Typical usage:

- Great summing and mastering compressor
- Best compressor for external drum machines
- Bus compressor for live drums
- Can be used to compress single stereo instruments (pads, leads)
- The S-Type is a precision dynamic range controller intended for use in the most demanding professional audio applications. RMS detection, high headroom input circuits and output drivers, give the S-Type its own sonic excellence.

Block diagram





GR METER Big GR meter showing the amount of gain reduction applied

THRESHOLD Above this level of the input signal the compression will occur. Use it to control the amount of compression.

RATIO Allows to adjust the compressor ratio. From 2:1 (soft compression) up to 10:1.

ATTACK Time delay between the appearance of the signal and the compressor reaction.

RELEASE Time delay between the disappearance of the signal and the compressor reaction.

BYPASS The audio signal passes thru the compressor circuit when this switch is set to „IN”. The „BYPASS” setting causes the circuit to be taken off the signal path.

OUTPUT Output level knob.

SIDECHAIN This knob applies the high pass filtering to the sidechain circuit. It allows to avoid the „pumping” sound of ie. the kick drum – low frequencies will not trigger the compressor. In OFF position no HPF is applied to de sidechain.

S-TYPE technical specification:

Operating Level	+4dBu
Maximum Input	+22dBu
Maximum Output	+22dBu
Input impedance	10 kohm
Output Impedance	10 kohm
Max Gain Reduction	25
Maximum Gain	25
Attack Time	0.1 – 30 ms
Release Time	0.1 to 2s + auto
Frequency response	5Hz - 20kHz
THD@0dBu	0.012%
Crosstalk	101 dB
Noise Level	-102 dBA
Power consumption	25 W
Shipping weight	3kg
Dimensions	19" 1U, 230mm deep

Troubleshooting

My unit doesn't light up (the VU meter is dark):

- Please check the power cord and the switch at the front of the unit is in ON position
- Check the fuses

The signal plays thru but there is no change in signal when i turn the knobs:

- Please check the bypass switch

No signal plays thru the unit, regardless the settings at the front panel:

- Please check the cables connecting the rack.

Warranty:

This device is declared to be free from defects in material and workmanship for a period of three years. Any device found defective within three years from the delivery date and returned to the factory, will be repaired, adjusted, or replaced and sent to the customer with no charge. The customer always pays the shipping cost to us. This warranty does not cover expendable items such as tubes or fuses. If the defect has been caused by a misuse or abnormal operation conditions, the repair will be billed at a nominal cost. The product should be returned in its original package, if this is possible, or packed in such a way that it is not damaged during the shipment. We are not to be held responsible for any damages during the shipment. 19" units shall always be packed in a box with support for the rack ears. All 500 series modules need to be secured in ESD bag and protected with foam. We will charge the customer €20 + VAT if the packing material needs to be replaced. If we find that the product works perfectly, the customer will be invoiced €50 + VAT to cover our costs of examination and handling plus the cost for returning the product to the customer.

